

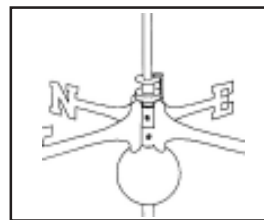
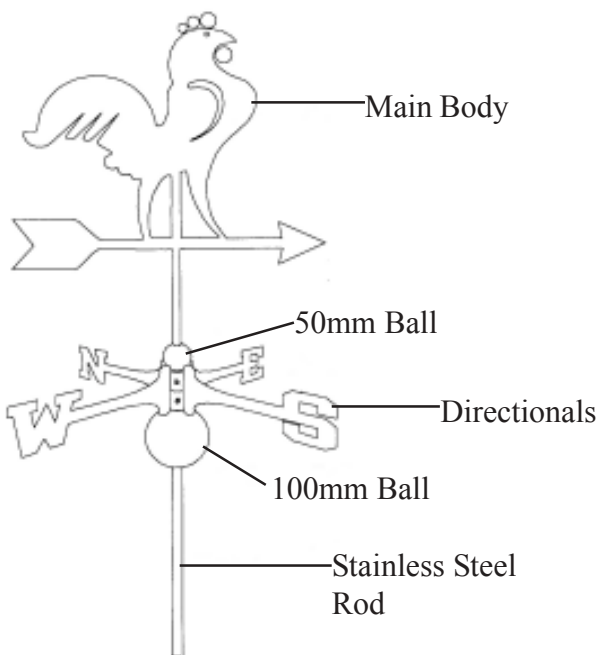
**Weathervane Assembly and Installation Guide**

Before fitting the Weathervane, we recommend you should familiarize yourself with the component against the detail below. A trial assembly is often worthwhile and can help to save actual installation time. The ethini end of the rod is where the vane section fits, so this is the top. Assemble on to the main shaft as follows:-larger balls, directionals (note how they link together) and smaller ball. This smaller ball has been designed to sit on the shoulder of the rod with the smaller hole acting as a estopí.

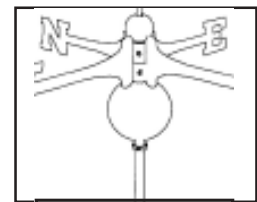
**To install:** The rod needs to be properly secured and vertical (one of our kits may have been purchased to assist with this) with at least 150mm of the main rod exposed and visible.

Once the rod is secure, the components are assembled and the directionals set to the correct orientation then secured in place with the locking screws.

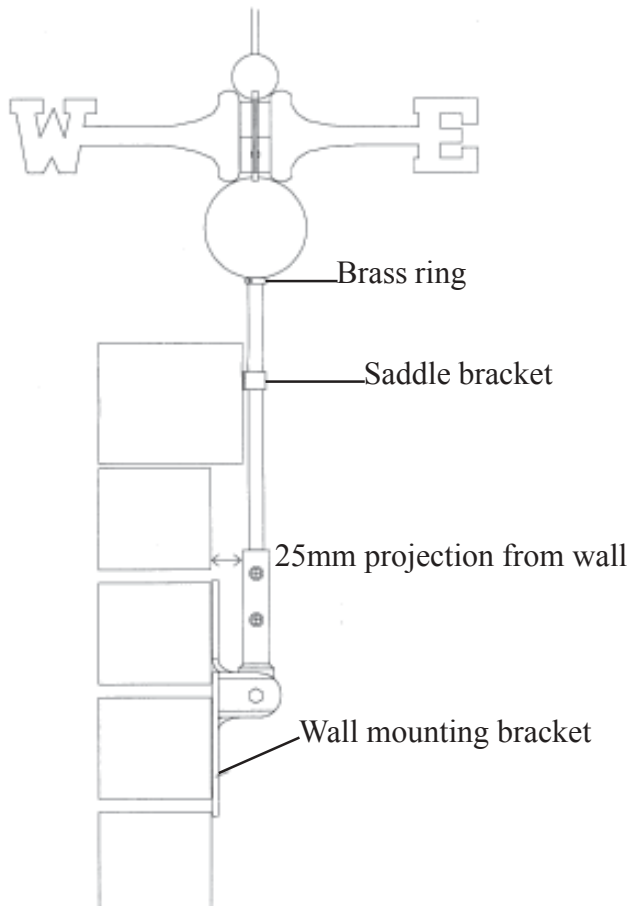
Lightly grease inside the tube of the main vane section before sliding this into position on the shaft and check for free rotation.



Certain Weathervanes are supplied with a clamp for use in place of the small copper ball. This prevents the Weathervane from lifting.



Depending on the fixing kit you purchase, your Weathervane may include a brass ring to hold the larger ball in position.



**Fixing Kit - Wall**

Kit includes:

Wall mounting bracket

10 x screws

10 x plugs

1 x saddle bracket

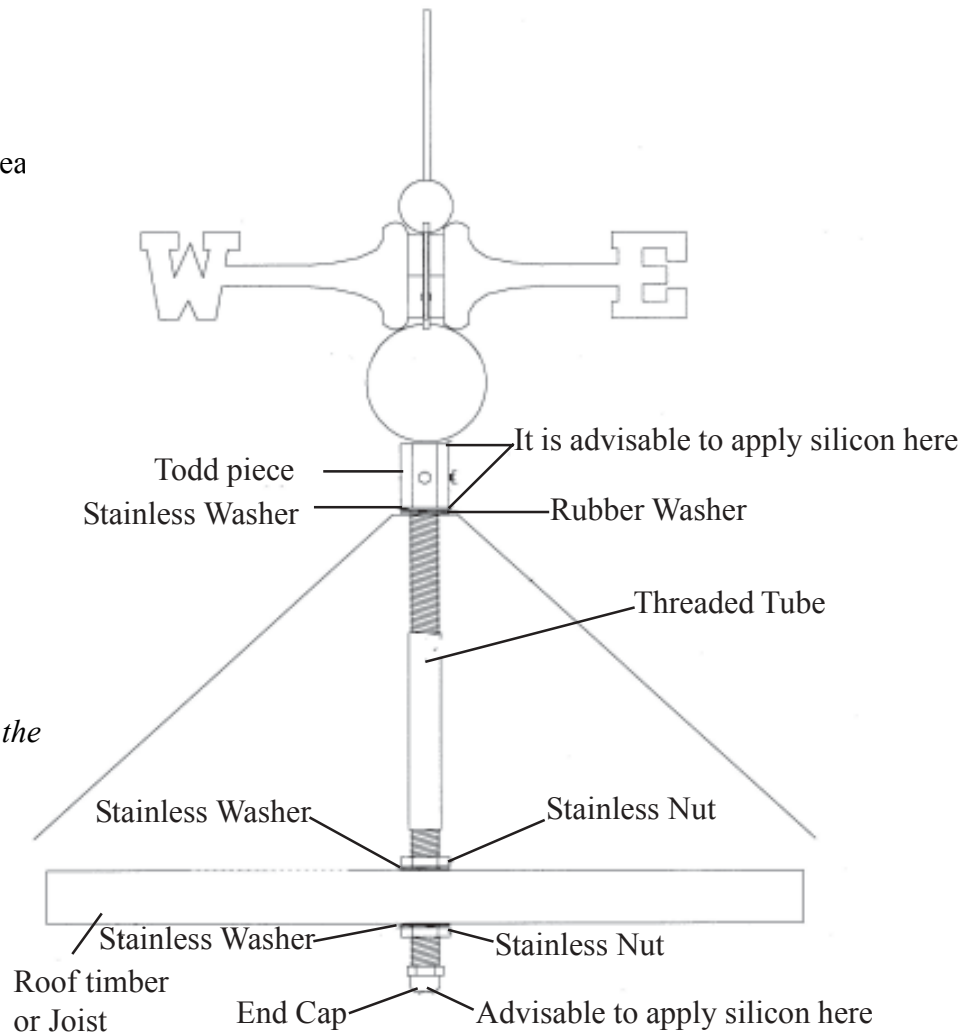
1 x brass ring

*NB: Directionals and balls come with the vane not the mounting kit*

## Fixing kit - Roof

Kit includes:

- 25m x 500mm tube with 150mm of threa
- Hexagonal brass todd piece
- 2 x Stainless nuts
- 3 x Stainless washers
- 1 x Rubber washer
- 1 x End cap

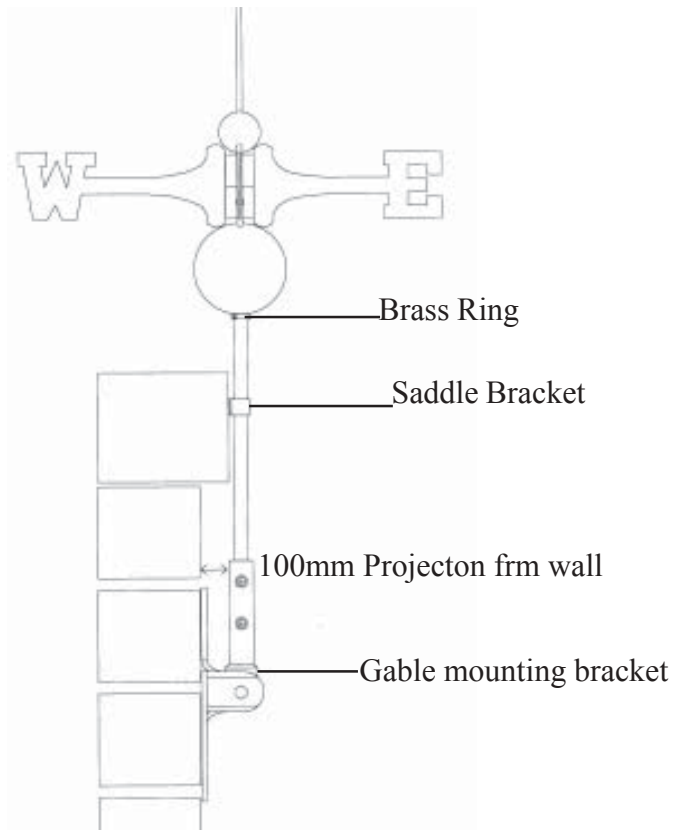


*NB: Directionals and balls come with the vane not the mounting kit*

## Fixing Kit - Gable

Kit includes:

- Gable Mounting bracket
- 6 x screws
- 6 x plugs
- 1 x saddle bracket
- 1 x brass ring



*NB: Directionals and balls come with the vane not the mounting kit*